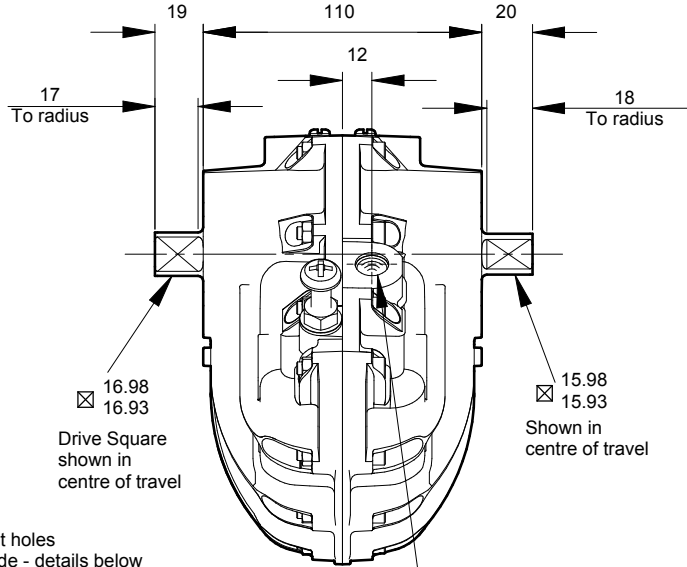
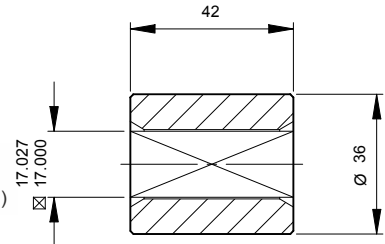


# Model 08



Standard Coupling  
(supplied with actuator  
weight 0.52 lbs/0.24 kg)



## Specification

### Output Torque

1740 lbf ins/199 Nm  
at 100 psi/7 bar

### Angle of Travel (adjustable)

80° - 100°  
(restricted travel  
versions available)

### Displaced Volume

29.6 in<sup>3</sup>/485 cm<sup>3</sup>

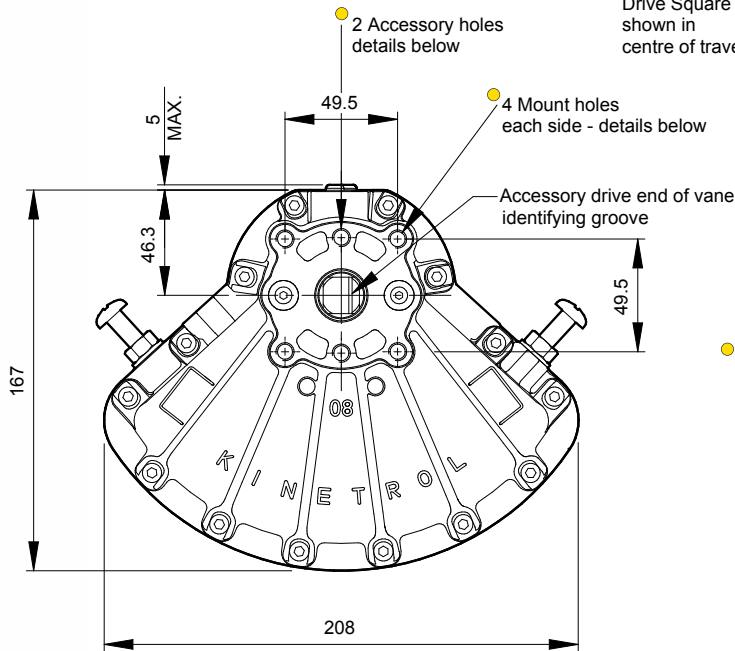
### Finish

Epoxy stove enamel

### Weight

5.60 lb/2.54 kg  
(excluding coupling)

For further information  
see General Specification  
on page 50.



#### Air Port/Mount Hole Details

Model	Air Ports	Mount Holes & Accessory Mount Holes
084-100	G <sup>1</sup> / <sub>4</sub>	4 x M8 x 16 deep on 70.0 PCD 2 x M8 x 16 deep on 50.8 PCD
087-100	1/4 NPT	4 x 5/16 -18 UNC x 0.63" deep on 2.76" PCD 2 x 5/16 -18 UNC x 0.63" deep on 2.00" PCD

Visual Red Indicator supplied as standard - see page 3

## Options

- Fail safe spring return units - clockwise or counter clockwise see pages 5-7
- Limit switch boxes for open/close indication - various switches for hazardous areas see pages 9-12
- Integral solenoid valve see page 20
- AP pneumatic positioner - full range of options see pages 17/18
- EL electropneumatic positioner - full range of options see pages 15/16
- P3 on/off positioner - full range of options including hazardous area see pages 21-23
- Clear Cone position monitor see page 20
- Female drive and mounting details to DIN 3337 and ISO 5211 see page 50
- ISO adaptor see page 8
- G<sup>3</sup>/<sub>8</sub> or 3/8 NPT air port option available - contact Kinetrol
- Geared manual override see page 46
- Code identification see page 62
- Torque outputs see pages 58-60
- See pages 49-52 for English dimensions and dimensions of spring options
- High temperature / Low temperature options see page 50

