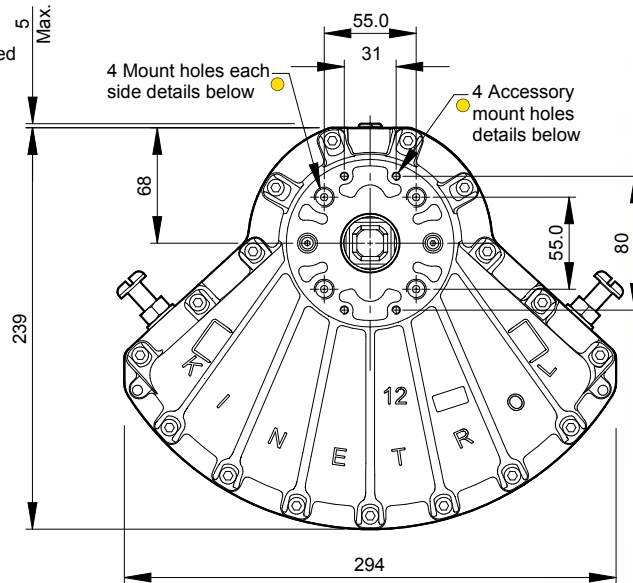
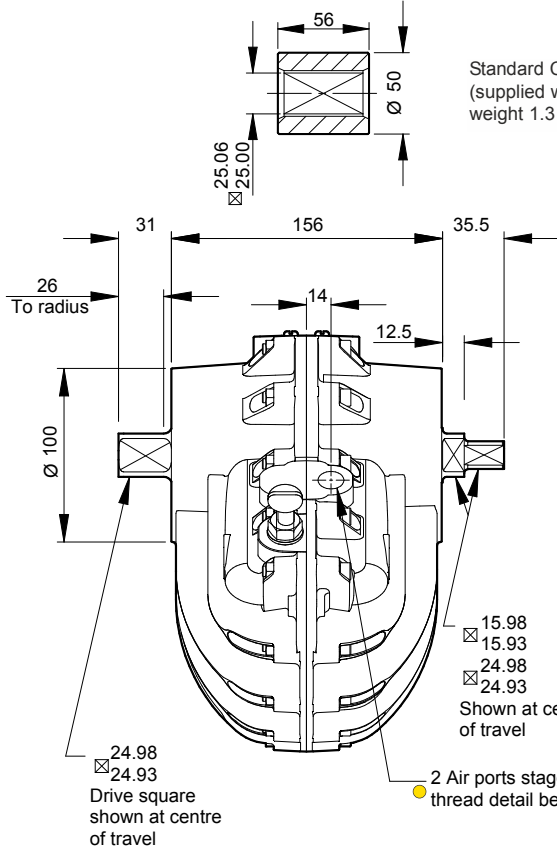


Standard Coupling  
(supplied with actuator weight 1.3 lbs/0.6 kg)



### Air Port/Mount Hole Details

Model	Air Ports	Mount Holes & Accessory Mount Holes
124-100	G <sup>3</sup> / <sub>8</sub>	4 x M12 x 24 deep on 77.8 PCD 4 x M5 x 10 deep
127-100	3/8 NPT	4 x 1/2 - 13 UNC x 0.94" deep on 3.06" PCD 4 x 10-24 x 3/8" deep

Visual Red Indicator supplied as standard - see page 3

### Specification

#### Output Torque

5000 lbf ins/575 Nm  
at 100 psi/7 bar

#### Angle of Travel (adjustable)

80° - 102°  
(restricted travel versions available)

#### Displaced Volume

86 in<sup>3</sup>/1410 cm<sup>3</sup>

#### Finish

Epoxy stove enamel

#### Weight

14.8 lb/6.7 kg  
(excluding coupling)

For further information see General Specification on page 50.

### Options

- Fail safe spring return units - clockwise or counter clockwise see pages 5-7
- Limit switch boxes for open/close indication - various switches for hazardous areas see pages 9-12
- Integral solenoid valve see page 20
- AP pneumatic positioner - full range of options see pages 17/18
- EL electropneumatic positioner - full range of options see pages 15/16
- P3 on/off positioner - full range of options including hazardous area see pages 21-23
- 180° model see page 25/26
- Female drive and mounting details to DIN 3337 and ISO 5211 see page 50
- Spring to centre see page 24
- Geared manual override see page 46
- Code identification see page 62
- Torque outputs see pages 58-60
- See pages 49-52 for English dimensions and dimensions of spring options
- Accessory mount plate for positioners, switch boxes and clear cone monitor. See TD149.
- High Temperature / Low temperature options see page 50

