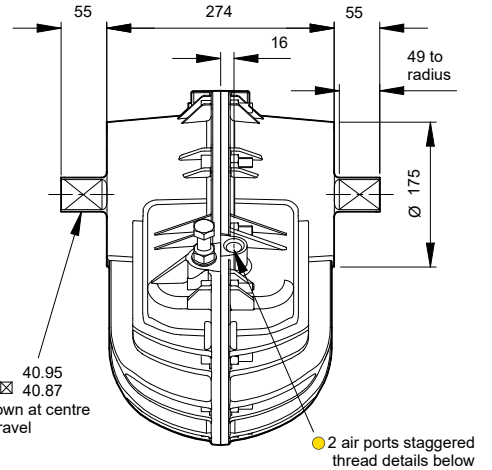
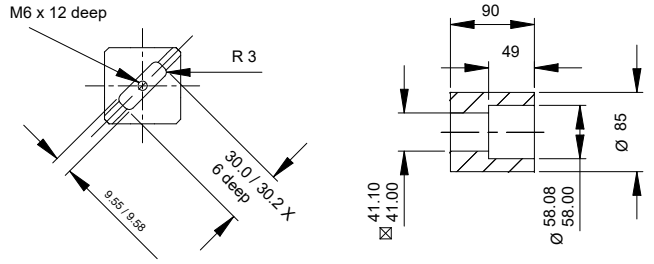


Model 16



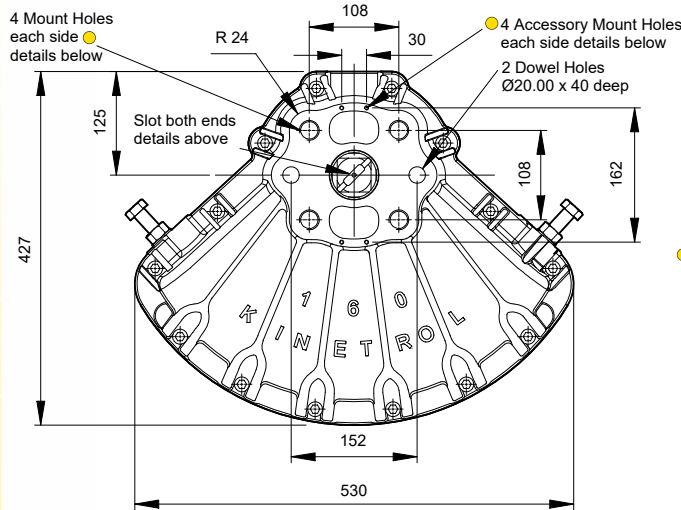
Standard Coupling
(supplied with actuator
weight 5.3 lbs/2.4 kg)

Vane Slot detail both ends



Air Port/Mount Hole Details

Model	Air Ports	Mount Holes & Accessory Mount Holes
164-100	G ^{1/2}	4 x M24 x 38 deep on 152.7 PCD 4 x M5 x 8 deep
167-100	1/2 NPT	4 x 7/8 - 9 UNC x 1.50" deep on 6.012" PCD 4 x 10-24 UNC x 0.31" deep



Specification

Output Torque

27000 lbf ins/3100 Nm
at 100 psi/7 bar

Angle of Travel (adjustable)

80° - 100°
(restricted travel
versions available)

Displaced Volume

465 in³/7630 cm³

Finish

Epoxy stove enamel

Weight

82.5 lb/37.4 kg
(excluding coupling)

For further information
see General Specification
on page 5.

- Fail safe spring return units - clockwise or counter clockwise see pages 27-29
- Limit switch boxes for open/close indication - various switches for hazardous areas see pages 31-34
- AP pneumatic positioner - full range of options see pages 41/42
- EL electropneumatic positioner - full range of options see pages 39/40
- 180° model see page 51/52

Options

- Female drive and mounting details to DIN 3337 and ISO 5211 see pages 57/58
- Spring to centre see page 50
- Geared manual override see page 55
- Code identification see page 30
- Torque outputs see pages 6-8
- See pages 57-60 for English dimensions and dimensions of spring options
- High Temperature / Low temperature options see page 5

