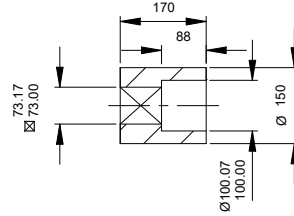


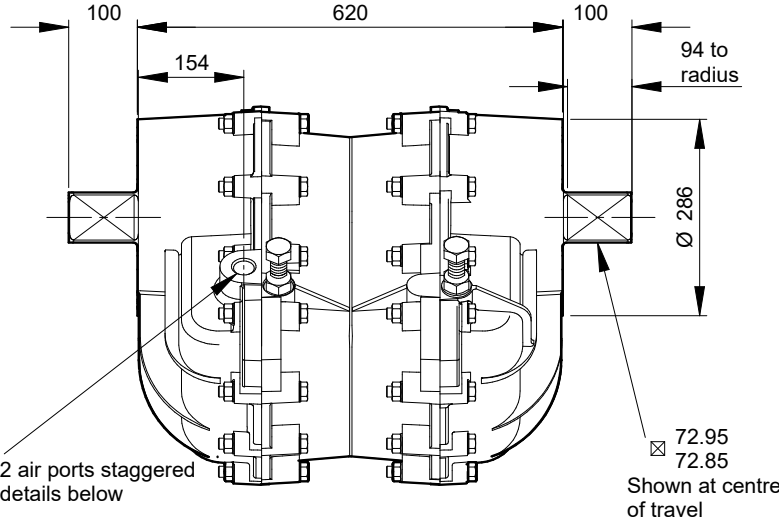
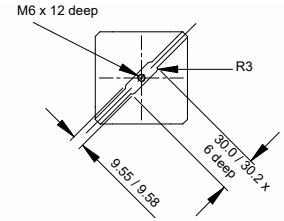
# Model 20



Standard Coupling  
(supplied with actuator  
weight 34 lbs/15.4 kg)



Vane Slot detail both ends



## Specification

### Output Torque

112000 lbf ins/12760 Nm  
at 100 psi/7 bar

### Angle of Travel (adjustable)

80° - 100°  
(restricted travel  
versions available)

### Displaced Volume

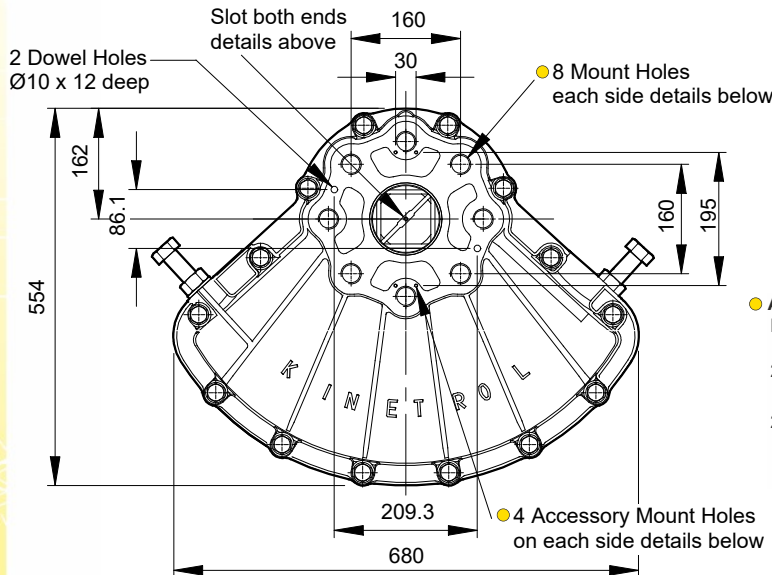
2034 in<sup>3</sup>/33350 cm<sup>3</sup>

### Finish

Epoxy stove enamel

### Weight

440 lb/199.6 kg  
(excluding coupling)



#### ● Air Port/Mount Hole Details

Model	Air Ports	Mount Holes & Accessory Mount Holes
204-100	G1	8 x M30 x 50 deep on 226.3 PCD 4 x M5 x 8 deep
207-100	1 NPT	8 x 1 <sup>1</sup> / <sub>8</sub> - 7 UNC x 2.00" deep on 8.91" PCD 4 x 10-24 UNC x 0.31" deep

## Options

- Fail safe spring return units - clockwise or counter clockwise see pages 27-29
- Female drive and mounting details to DIN 3337 and ISO 5211 see pages 57/58
- Limit switch boxes for open/close indication - various switches for hazardous areas see pages 31-34
- Geared manual override see page 55
- AP pneumatic positioner - full range of options see pages 41/42
- Code identification see page 30
- EL electropneumatic positioner - full range of options see pages 39/40
- Torque outputs see pages 6-8
- See pages 57-60 for English dimensions and dimensions of spring options
- High Temperature / Low temperature options see page 5

For further information  
see General Specification  
on page 5.

