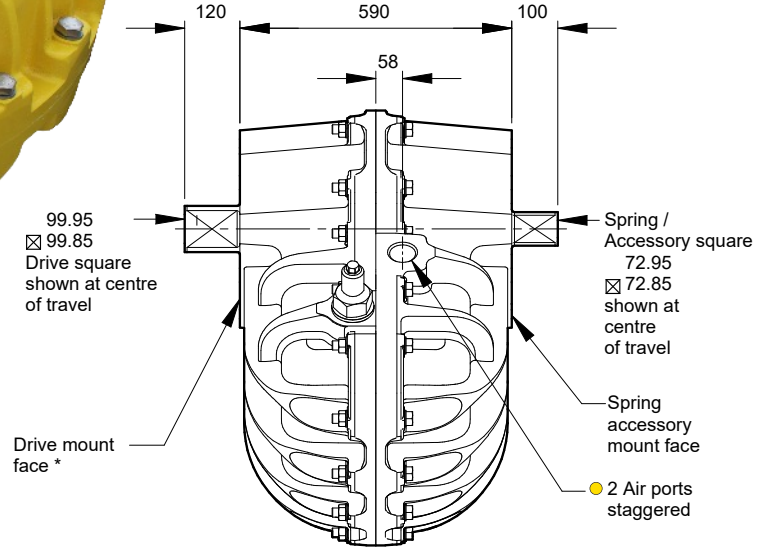
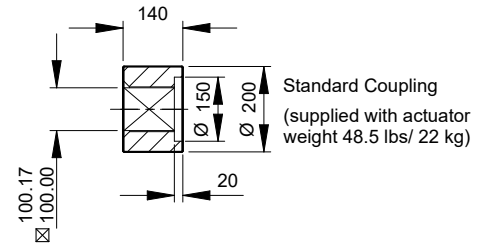


Model 60



Specification

Output Torque

356977 lbf ins/40765 Nm
at 100 psi/7 bar

Angle of Travel (adjustable)

80° - 100°
(restricted travel versions available)

Displaced Volume

6284 in³/103064 cm³

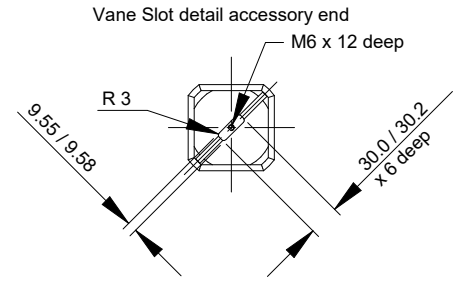
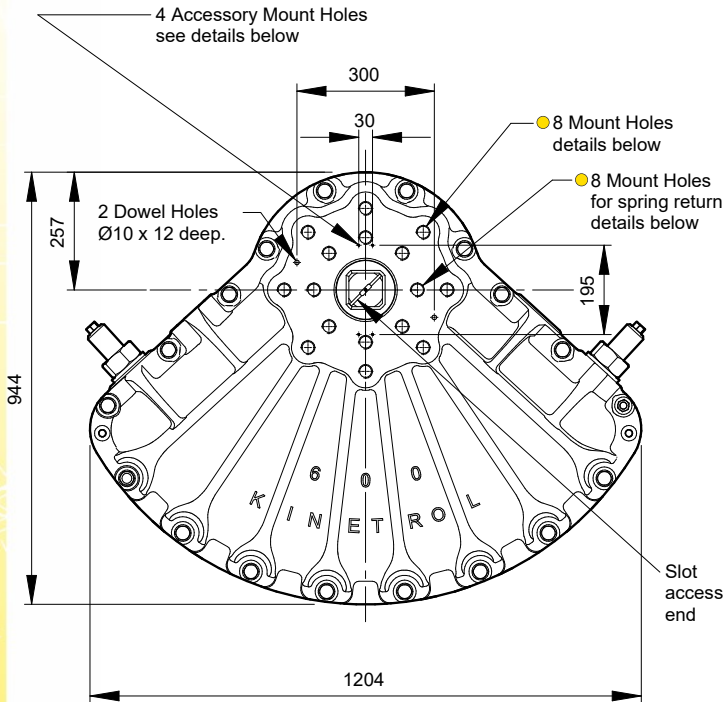
Finish

Epoxy stove enamel

Weight

1047.2 lb/475 kg
(excluding coupling)

For further information see General Specification on page 5.



Air Port/Mount Hole Details

Model	Air Ports	Mount Holes & Accessory Mount Holes
604-100	G2	8 x M30 x 80 deep on 356 PCD 4 x M5 x 8 deep
607-100	2 NPT	8 x 1 ¹ / ₈ - 7 UNC x 3.15" deep on 14.02" PCD 4 x 10-24 UNC x 0.31" deep

Options

- Fail safe spring return units - clockwise or counter clockwise see pages 27-29 (springs are mounted above the actuator only use code 600-1*0 for ISO and 609-1*0 for ANSI)
- Limit switch boxes for open/close indication - various switches for hazardous areas see pages 31-34
- AP pneumatic positioner - full range of options see pages 41/42
- EL electropneumatic positioner - full range of options see pages 39/40
- Code identification see page 30
- Torque outputs see pages 6-8
- See pages 57-60 for English dimensions and dimensions of spring options

