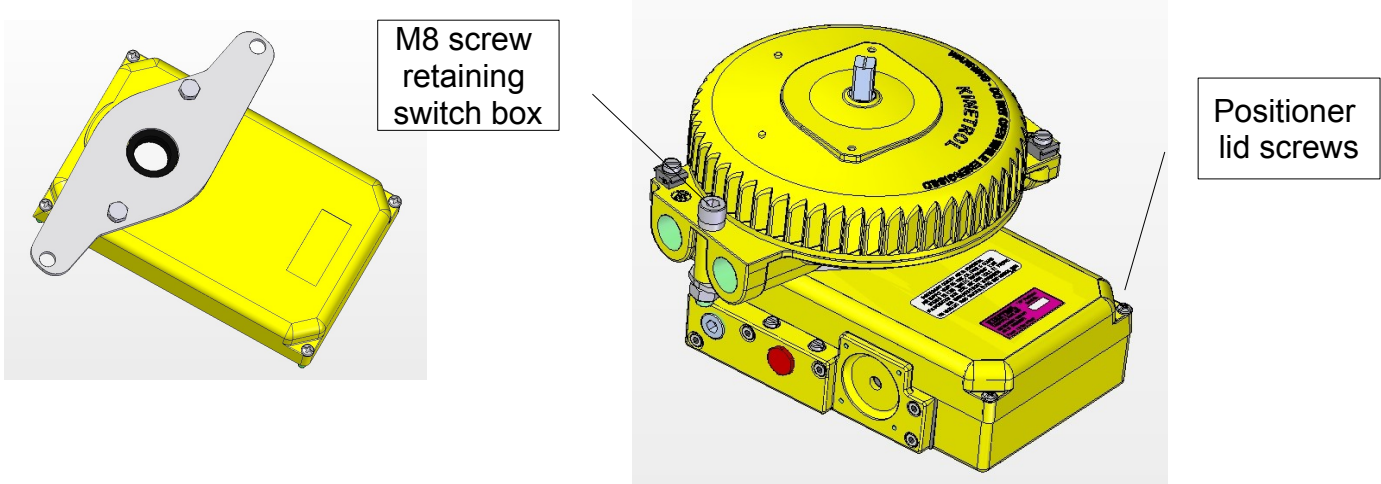




ATEX Kinetrol AP Positioner with XLS box

The XLS can be mounted on to an AP Positioner using a special AP lid and XLS bracket. The AP should be ordered with an 'X' in the limit switch option box, XLS can be ordered with any of the standard switches & electrical options (see below for order code options).

It can only be fitted by Kinetrol to positioners without internal angle retransmit circuits, there is no retrofit option.



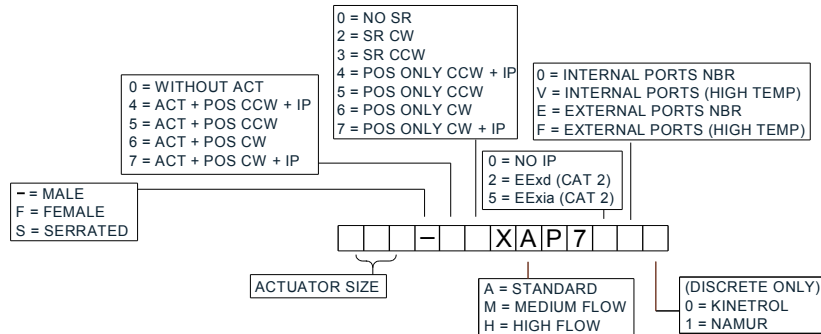
To adjust the positioner remove positioner lid as follows:

Unscrew 2 XLS box M8 screws remove XLS.

Unscrew 4 lid screws, remove lid and bracket assembly (do not separate bracket from lid).

To access the flow regulators on AP version the XLS box must be removed, adjusters are accessible with bracket in place.

AP POSITIONER ORDER CODE



XLS ORDER CODE

