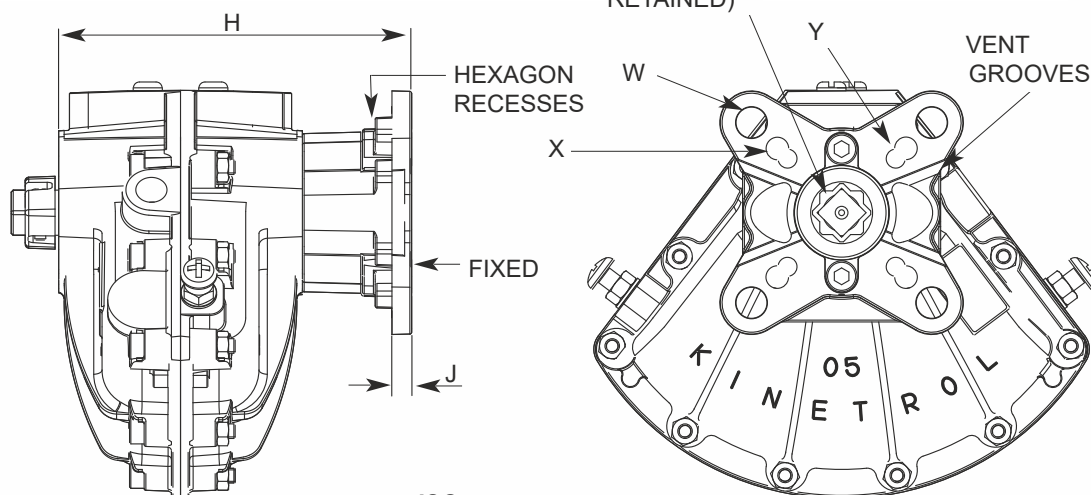


Ultimate Mounting Flexibility

- Low cost direct mount flange and coupling for mounting to valves with ISO 5211 drive interfaces, available for actuator models 02, 03, 05, 07, 08 and 09
- Mounting directly to standard Kinetrol double acting actuator thereby reducing stocking requirements
- Multiple mounting hole sets in one part
- **International patents.** The novel design allows metric mounting screws to face in either direction. Valve flanges with tapped holes can easily be interfaced for the first time. Nut recesses in flange make for easy installation
- **Robust epoxy coated zinc alloy (02 to 07) and aluminium alloy (08 and 09) adaptor with no threads for maximum corrosion resistance**
- **Female drive bi-square (star) coupling is retained by adaptor and made from zinc plated steel (other materials available on request)**
- **Serrated drive versions also available.**



International Patents



FEMALE
BI-SQUARE
G x E DEEP
(COUPLING
RETAINED)

Adaptor Kit*	Order Codes	ISO Flange Sizes	H mm	J mm	G mm	E † mm	W PCD mm	X PCD mm	Y PCD mm	Weight Kg
SP 1406 ♦	023F120 / 023F100	F03/F05	74	5.0	11	12	6.6 50	5.5 36	-	0.13
SP 1407 ♦	023F180 / (024-100Z fitted with SP1407)	F04	74	5.0	11	12	5.5 42	-	-	0.13
SP 1449	033F100**	F03/F05	84	5.0	11	12	6.6 50	5.5 36	-	0.13
SP 1454	034-100Z fitted with SP1454	F04	84	5.0	11	12	5.5 42	-	-	0.13
SP 1450 ♦	053F100	F04/F05/F07	97	5.4	14	17	9.0 70	6.6 50	5.5 42	0.27
SP 1451 ♦	073F100	F05/F07	140	8	17	19	9.0 70	6.6 50	-	0.53
SP 1445 ♦	083F100	F07/F10	160	10	22	24	11.0 102	9.0 70	-	1.04
SP 1452 ♦	093F100	F07/F10	176	10	22	24	11.0 102	9.0 70	-	1.04

* ANSI (e.g. ASP1449) colour versions (identical dimensions) also available.

** Default 03 version

† Minimum

♦ Also mounts directly to male drive spring units

